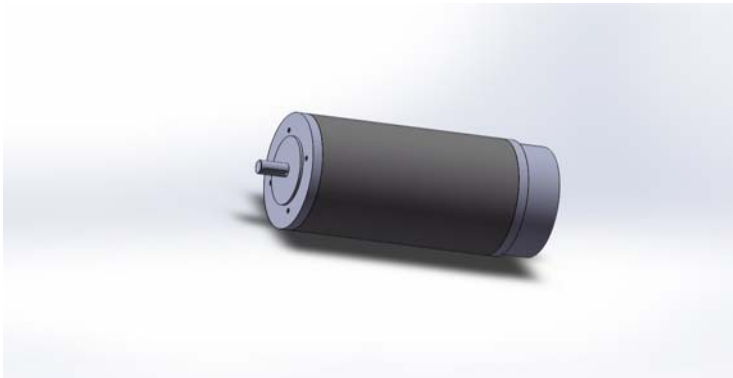


EM118ZY04

overview



features

application

Home application/Industrial/Boat/Truck/Driving part/Textile

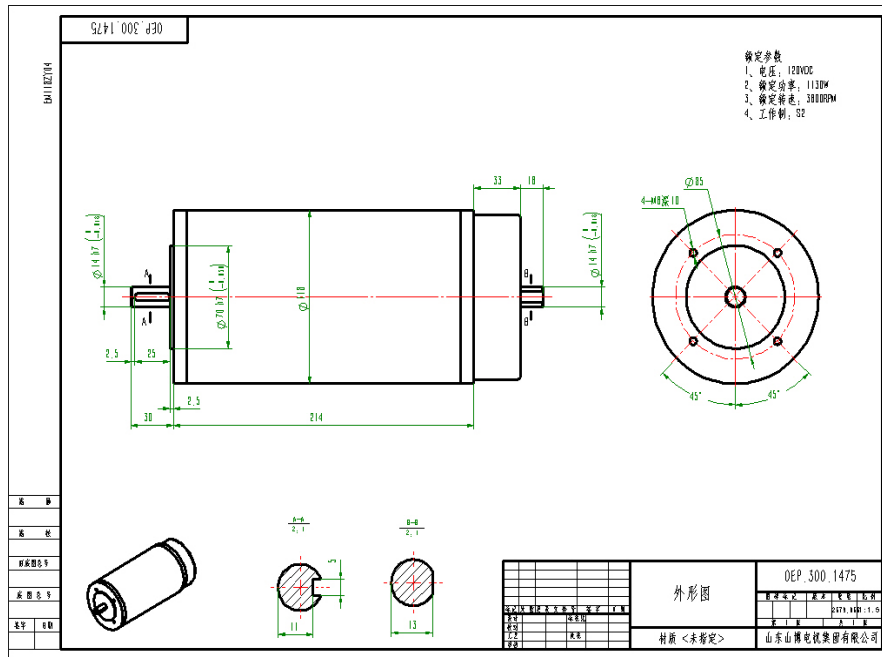
installation instructions

As the requirements of clients/Adjustable

specifications

product model	voltage	torque	speed	power	current	working duty	protection class	other
EM118ZY04	120V DC		3600RPM	1130W		S2		

Outline and installation dimensionsappearance



packaging

Inner packing: lpc/polystyrene surround with polyethylene bag.
 Outer packing: Cardboard cartons with printed labels detailing reference, shrink-wrapped and cardboard jacket placed over carton with printed label detailing packing list.

certificate

Shandong Shanbo Electric Machine Group Co.,Ltd
(Boshan Motor Factory)
address: NO.76 Beishan Road Zibo Shandong 255200 China
telephone number:+86 533 3571651
Fax:+86 533 3571655
Email:info@shenbomotor.cn