

# EM117ZY

## overview



## features

### applicable condition

Home application/Industrial/Boat/Truck/Driving part/Textile

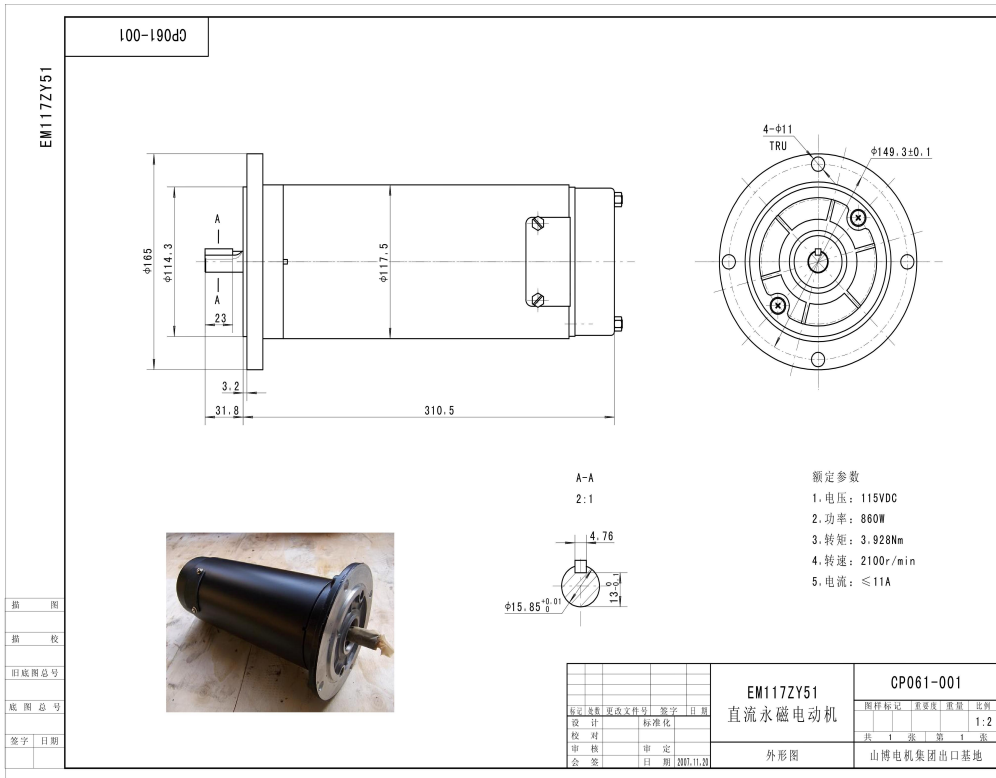
### installation instructions

As the requirements of clients/Adjustable

## specifications

product model	voltage	torque	speed	power	current	working duty	protection class	other
EM117ZY51	115V DC	3.928N.m	2100r/min	860W	≤11A			

### Outline and installation dimensionsappearance



# packaging

Inner packing:lpc/polystyrene surround with polyethylene bag.

Outer packing:Cardboard cartons with printed labels detailing reference, shrink-wrapped and cardboard jacket placed over carton with printed label detailing packing list.

## certificate

**Shandong Shanbo Electric Machine Group Co.,Ltd**  
(Boshan Motor Factory)

address: NO.76 Beishan Road Zibo Shandong 255200 China

elephone number:+86 533 3571651

Fax:+86 533 3571655

Email:info@shenbomotor.cn