

EM76ZY

overview



features

application

Home application/Industrial/Boat/Truck/Driving part/Textile

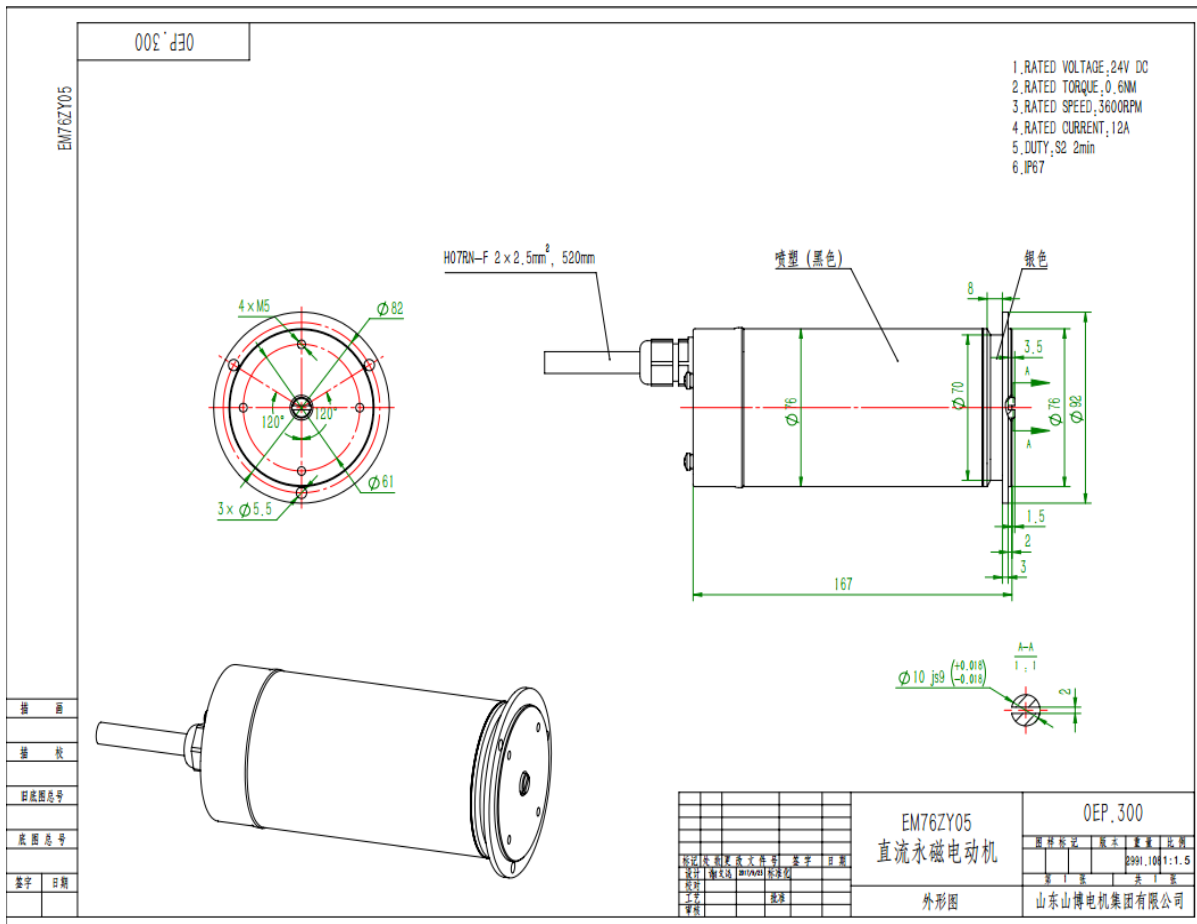
installation instructions

As the requirements of clients/Adjustable

specifications

| product model | voltage | torque | speed | power | current | working duty | protection class | other |
|---------------|---------|--------|---------|-------|---------|--------------|------------------|-------|
| EM76ZY05 | 24V DC | 0.6N.m | 3600RPM | | | S2 | | |
| EM76ZY06 | 48V DC | 1N.m | 3600RPM | | | S2 | | |
| EM76ZY07 | 24V DC | 0.2N.m | 3500RPM | | | S1 | | |
| | | | | | | | | |
| | | | | | | | | |
| | | | | | | | | |
| | | | | | | | | |

Outline and installation dimensions appearance



over carton with printed label detailing packing list.

certificate

Shandong Shanbo Electric Machine Group Co.,Ltd
(Boshan Motor Factory)
address: NO.76 Beishan Road Zibo Shandong 255200 China
telephone number:+86 533 3571651
Fax:+86 533 3571655
Email:info@shenbomotor.cn